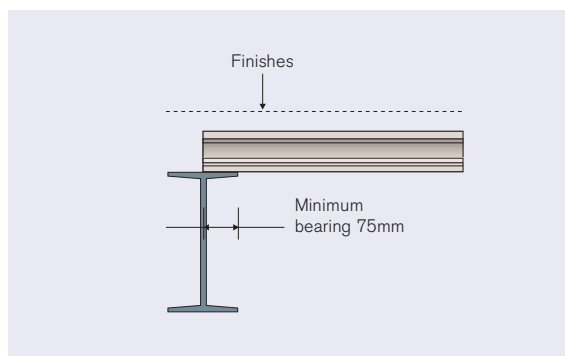
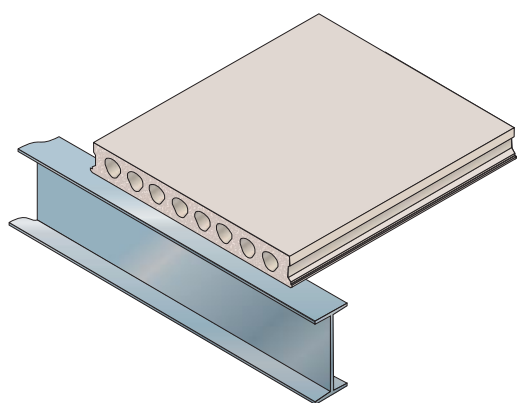


Bearing on shelf angles



Bearing on top of steelwork